

ES10

JTAG In Circuit Emulator



Features

100% XDS-510 compatible with ACT8990 JTAG test bus controller

Supports ParaDICE JTAG daisy chain connection to multiple target boards

Internal and external headers to simplify connection to targets

5V and 3.3V compatible signalling

Comes complete with cable assemblies

Ideal for TMS320C6x code development under Code Composer Studio

16-bit ISA form-factor

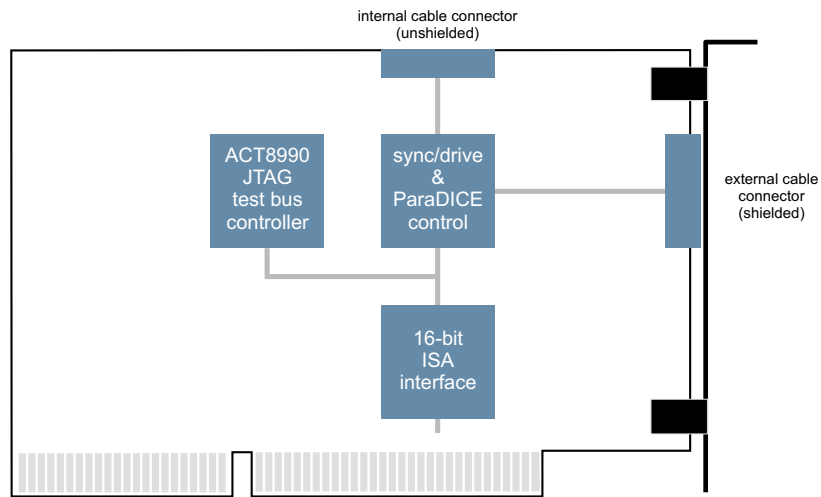
The ES10 provides the JTAG test bus control functions used by debugger software to access the emulation functionality that is built into Texas Instruments DSPs. It is 100% compatible with TI's XDS-510 product, and an ideal compliment to Code Composer Studio.

The JTAG test bus signals are presented on an external shielded connector. Standard and long (buffered with pod) cable sets are provided to connect to target hardware via mirrored internal and external (front panel) connectors. This provides users with a choice of having the target in the local machine or in a different physical chassis.

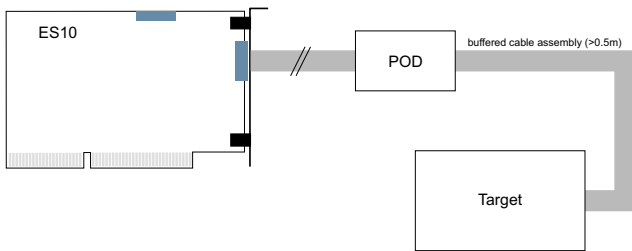


www.transtech-dsp.com

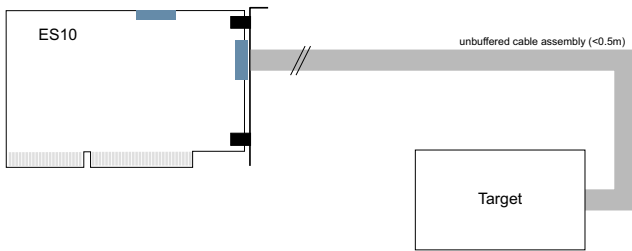
Block Diagram



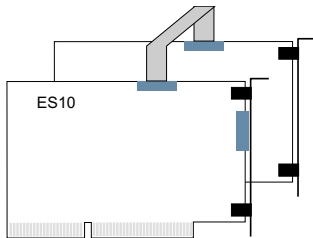
Configurations



Unbuffered target or >0.5m



Buffered target or <0.5m



Internal (local) target

20 Thornwood Drive, Ithaca, NY 14850-1263, USA
 Tel: 607 257 8678 Fax: 607 257 8679
 email: sales@transtech-dsp.com

Manor Courtyard, Hughenden Avenue, High Wycombe, HP13 5RE, UK
 Tel: +44(0)1494 464432 Fax: +44(0)1494 464472
 email: sales@transtech-dsp.com



www.transtech-dsp.com