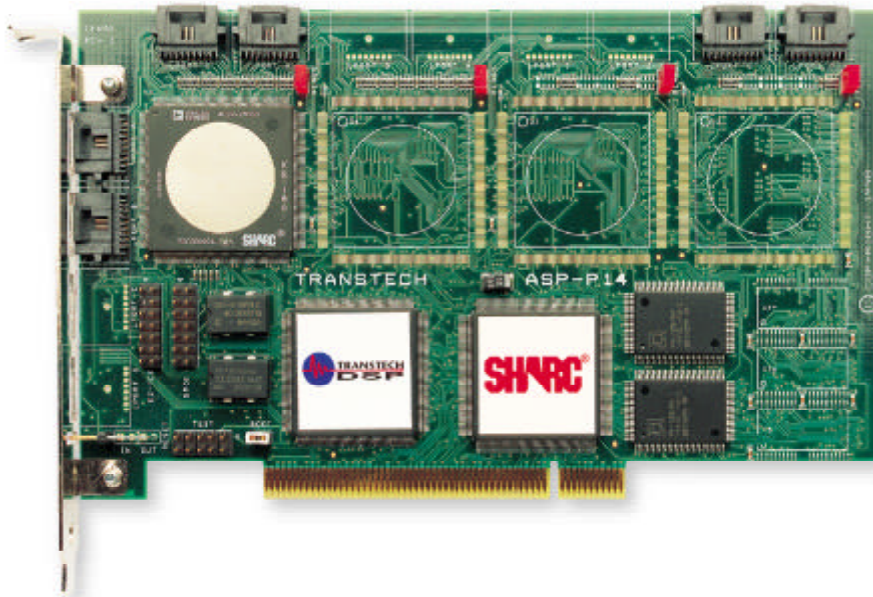


# ASP-P14

## SHARC PCI with 8/12Mbytes DRAM



The ASP-P14 is a minimum cost SHARC DSP PCI card supporting a single Analog Devices ADSP-2106x processor with up to 12Mbytes DRAM and 512kbytes of FLASH memory. For the highest levels of PCI throughput, the ASP-P14 also provides a PCI interface which can sustain data transfer rates of over 120Mbytes/sec. This is complemented by a hardware data type conversion to assist the exchange of data between PCI and SHARC environments.

The ASP-P14 incorporates an EZ-ICE header to provide in-circuit emulation via JTAG. To use this facility, an EZ-ICE probe and PC add-in card (or similar White Mountain emulator) is required. This allows C-source level debugging within a GUI interface and complete control over loading, execution and inspection of program variables.

Software support includes Transtech's ASP Toolset and a wide range of 3rd party products such as Virtuoso™ and the ASPEX IDE. Host operating system support includes Windows 95, Windows NT and LINUX. The ASP-Toolset includes the Analog Device toolset as a foundation, and extends it with essential network utilities and host I/O server support.

**ADSP-2106x DSP**

**8/12Mbytes DRAM**

**130Mbytes/sec PCI Interface**

**768Kbytes SRAM**

**Master/Slave PCI**

**512Kbytes FLASH**

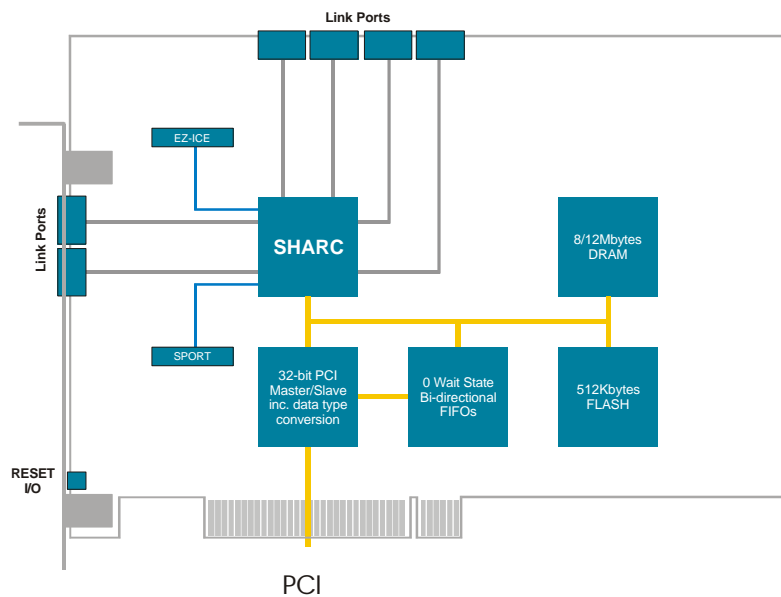
**6x 40Mbytes/sec Link Ports**

**Virtuoso™ Support**

**JTAG Debug**

**ASPEX IDE**

## Block Diagram



## Technical Specification

### Processor

Type	ADSP-21062 or ADSP-21060
Number	1
Clock speed	40MHz

### Memory

DRAM	2Mx32 (21060), 2Mx48bit (21062)
FLASH	512Kx8bit

### External Links Ports

Number	6 (2 front panel + 4 onboard)
Bandwidth	40Mbytes/sec per link
Connector	AMP 1-104074-0

### PCI Interface

Compliance	PCI 2.1 master/slave
DMA	130Mbytes/sec

### Debug

EZ-ICE or Mountain-ICE port

### SPORT

1 port with onboard connector

### Software Support

ASP Toolset, Virtuoso, ASPEX, 21K DSP libraries, Mountain-ICE and EZ-ICE

Contact Transtech for further details of software support

## Ordering Information

<b>ASP-P14-1-2-0</b>	ADSP-21062 DSP with no DRAM
<b>ASP-P14-1-4-0</b>	ADSP-21060 DSP with no DRAM
<b>ASP-P14-1-2-12</b>	ADSP-21062 DSP with 12Mbytes DRAM
<b>ASP-P14-1-4-8</b>	ADSP-21062 DSP with 8Mbytes DRAM

## Contact Details



### Transtech DSP

20 Thornwood Drive, Ithaca, NY 14850-1263, USA  
Tel: 607 257 8678 Fax: 607 257 8679  
email: sales@transtech-dsp.com

### Transtech DSP

Manor Courtyard, Hughenden Avenue, High Wycombe, HP13 5RE, UK  
Tel: +44(0)1494 464432 Fax: +44(0)1494 464472  
email: sales@transtech-dsp.com

Transtech reserves the right to alter specifications without notice, in line with its policy of continuous development. Transtech cannot accept responsibility to any third party for loss or damage arising out of the use of this information.  
© Transtech DSP 1998. Document Reference DATAP14-1  
Transtech acknowledges all registered trademarks.