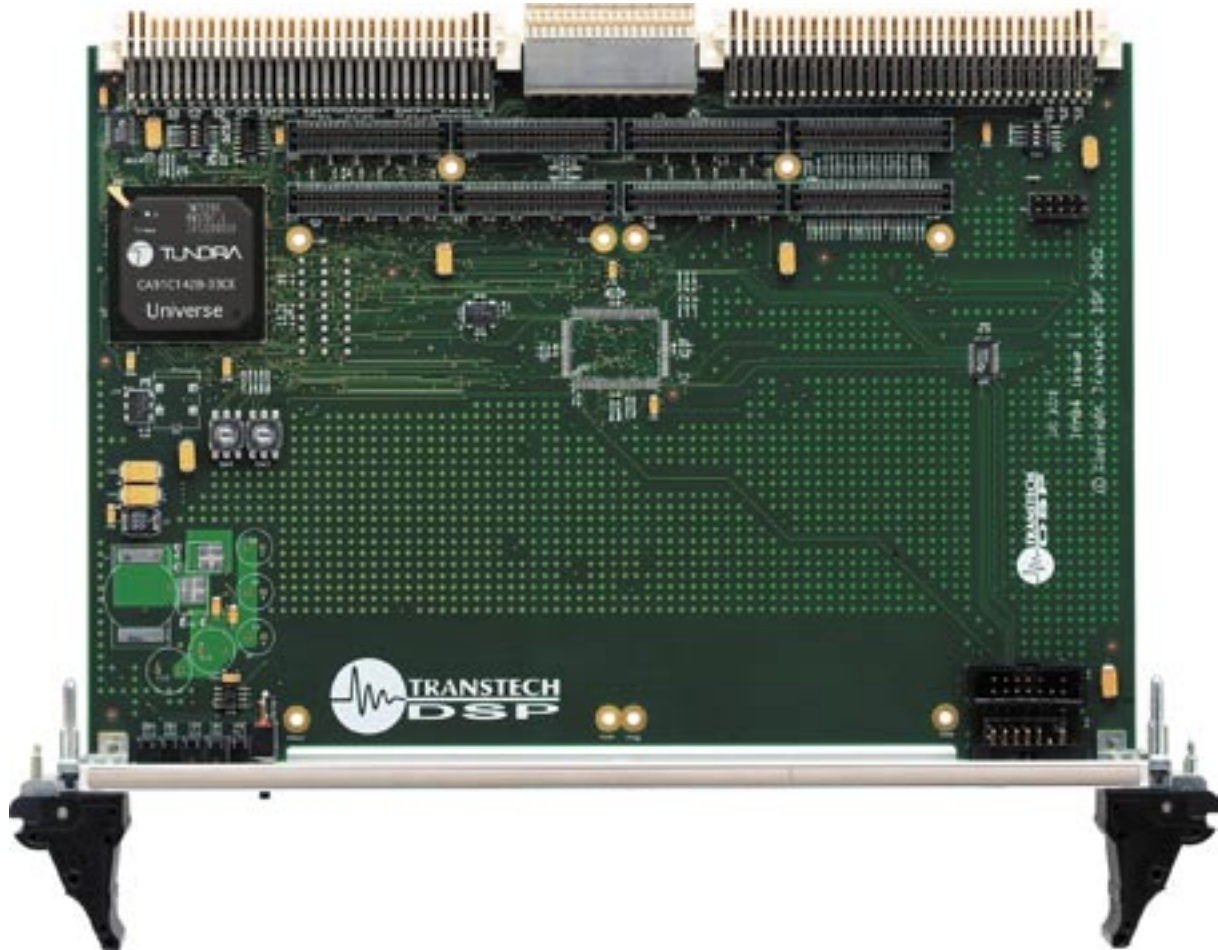


TPMB4

Dual Site PMC VME Carrier Card



Features

2x PMC sites

64-bit/33MHz PCI backbone

Direct PMC-to-PMC user I/O data routing

PMC user I/O routing to VME P0

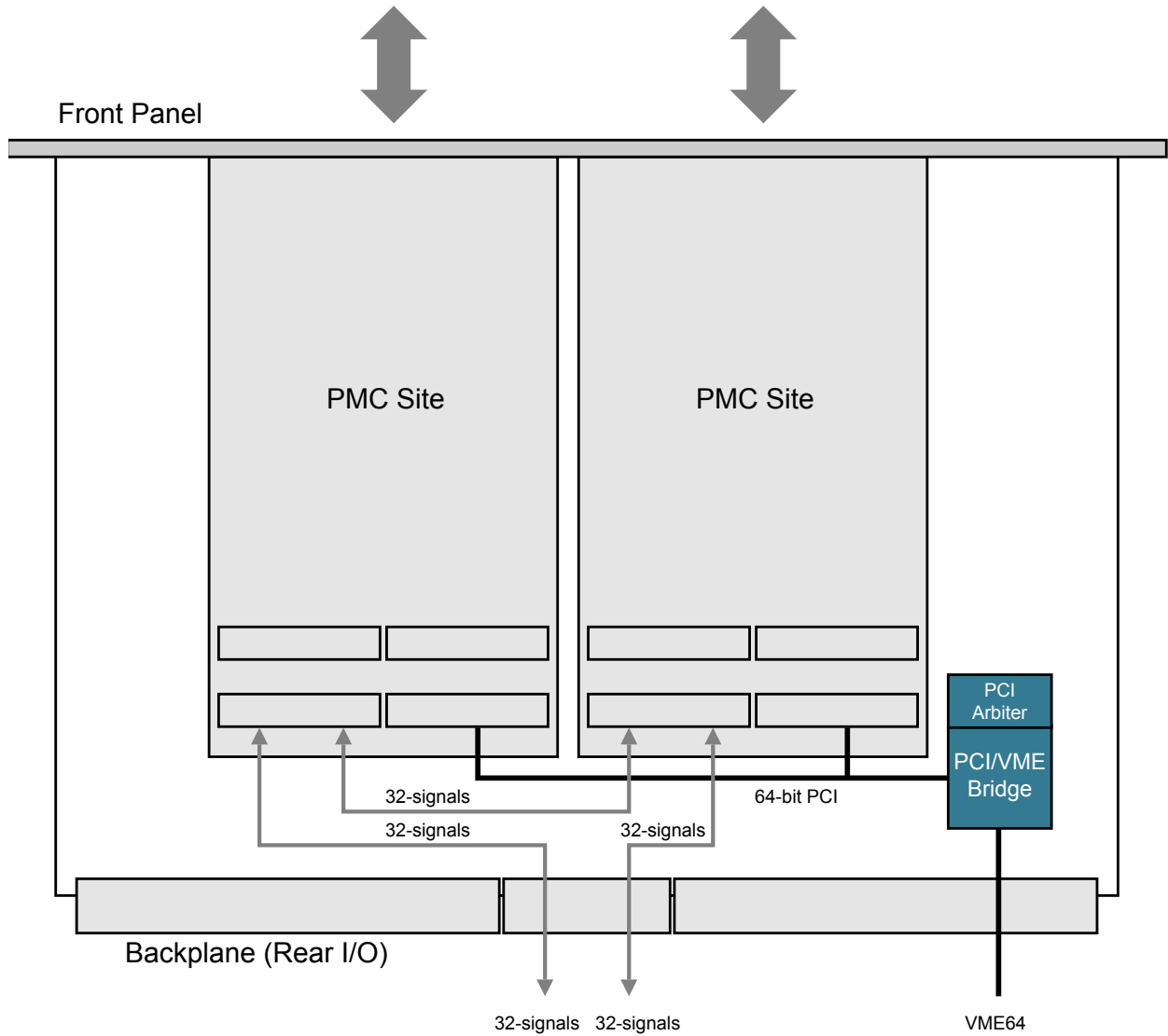
JTAG Header

The TPMB4 is a VME format carrier card with two 64-bit PMC sites with direct user I/O connectivity. The inter-linking permits PMC modules to bypass the PCI interface for point-to-point communications. Example of PMCs with user I/O communications capabilities include: TS-C43 (TigerSHARC DSP module), PMC-FPGA02 (Virtex-II FPGA card), ICS-554 (analog input) and ICS-564 (analog output).



www.transtech-dsp.com

Block Diagram



Technical Specification

PMC Sites

Number	2
Compliance	64-bit PCI 5V Signalling
Px4 User Routing	32 signals between sites 32+32 signal to VME P0

VME

Bridge

Tundra Universe II

Debugging

JTAG header

14-pin DIL header adaptor

20 Thornwood Drive, Ithaca, NY 14850-1263, USA
Tel: 607 257 8678, Fax: 607 257 8679

Manor Courtyard, Hughenden Avenue, High Wycombe, HP13 5RE, UK
Tel: +44(0)1494 464432, Fax: +44(0)1494 464472

11 Saharav Street NIA, Rishon LeZion 75707, Israel
Tel: 972-3-9518718, Fax: 972-3-9518719

email: sales@transtech-dsp.com



www.transtech-dsp.com