

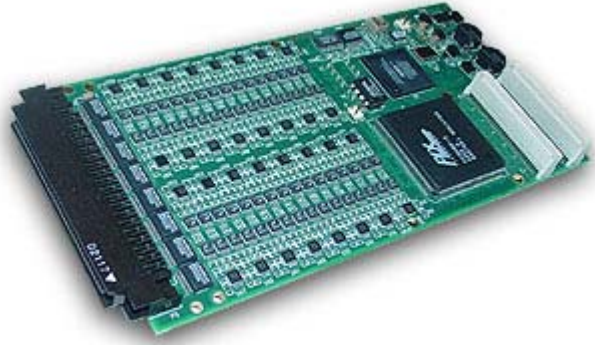
General Standards Corporation

High Performance Bus Interface Solutions

PMC-16AI64SS

64-Channel, 16-Bit Simultaneous Sampling PMC Analog Input Board

With 200 KSPS Sample Rate per Channel



Features

- 64 Analog Inputs with Dedicated 200KSPS 16-Bit ADC per Channel
- True Simultaneous Sampling of all Inputs; Minimum Data Skew
- Sampling Rates to 200 KSPS per Channel (12.8 MSPS Aggregate Rate)
- 64 Single-Ended Input Channels
- Selectable Differential Processing Simulates Differential Operation
- Selectable Input Ranges: $\pm 10V$, $\pm 5V$, $\pm 2.5V$, $0/+5V$, $0/+10V$
- Hardware Sync I/O for Multiboard Operation
- 64-Ksample FIFO Data Buffer
- DMA Engine Supports Block-Mode and Demand-Mode Transfers
- Sampling Controlled by Internal Rate Generator, by Software Trigger, or Externally
- Internal Autocalibration
- Completely Software-Configurable; No Field Jumpers
- Single-width PMC Form Factor, with Integral EMI Shield

Typical Applications

- | | | |
|------------------------|-----------------------------|-----------------------------|
| ✓ Analog Event Capture | ✓ Industrial Robotics | ✓ Acoustic Sensor Arrays |
| ✓ Dynamic Test Systems | ✓ Biometric Signal Analysis | ✓ Vehicle Collision Testing |

PRELIMINARY

031103

General Standards Corporation

8302A Whitesburg Drive · Huntsville, AL 35802

Phone: (256) 880-8787 or (800) 653-9970 FAX: (256) 880-8788 Email: Sales@GeneralStandards.com

Functional Description

The 16-Bit PMC-16AI64SS analog input board samples and digitizes 64 input channels simultaneously at rates up to 200,000 samples per second for each channel. The resulting 16-bit sampled data is available to the PCI bus through a 64K-Sample FIFO buffer. Each input channel contains a dedicated 16-Bit sampling ADC. All operational parameters are software configurable.

Inputs can be sampled in groups of 2, 4, 8, 16, 32 or 64 channels; or any single channel can be sampled continuously. The sample clock can be generated from an internal rate generator, or by software or external hardware. Input ranges are software-selectable as $\pm 10V$, $\pm 5V$ or $\pm 2.5V$.

An on-demand autocalibration feature determines offset and gain correction values for each input channel, and the corrections are applied subsequently during acquisition. A selftest switching network routes calibration reference signals to each channel through internal selftest switches, and permits board integrity to be verified by the host.

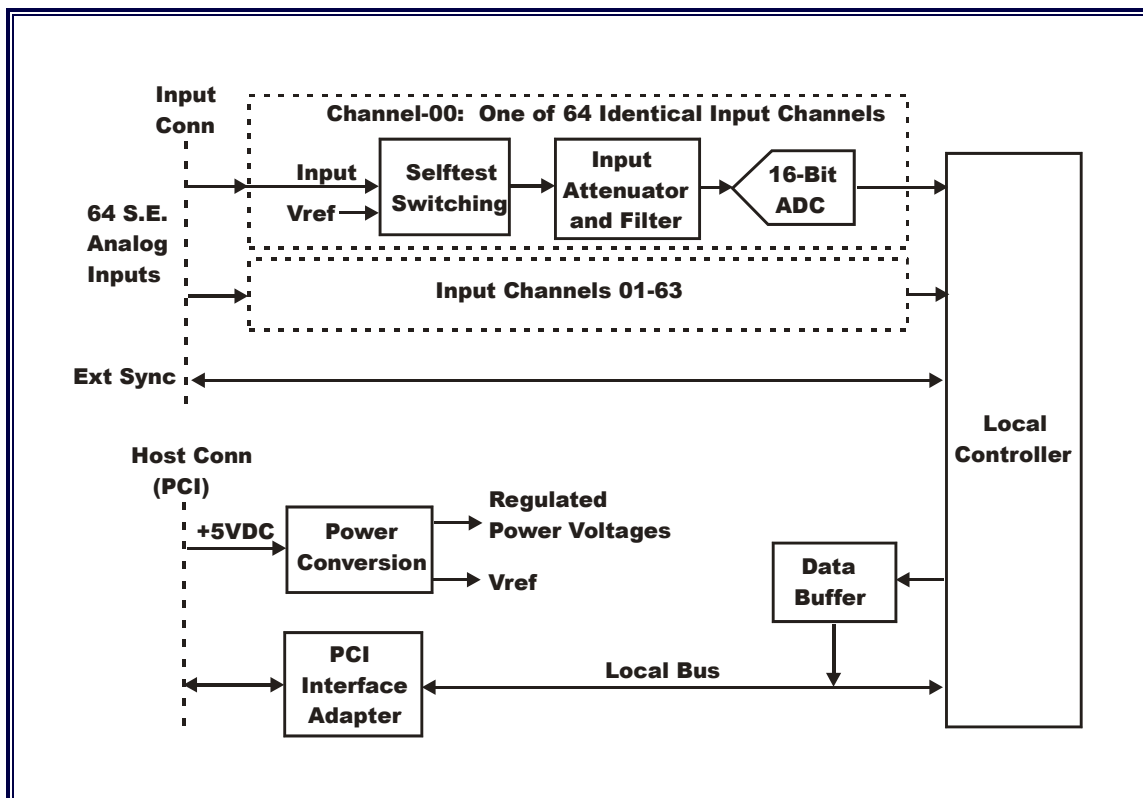


Figure 1. PMC-16AI64SS; Functional Organization

This product is functionally compatible with the IEEE PCI local bus specification Revision 2.3, and supports the "plug-n-play" initialization concept. System connections are made at the front panel through a high-density 80-pin connector. Power requirements consist of +5 VDC, in compliance with the PCI specification, and operation over the specified temperature range is achieved with conventional convection cooling.

General Standards Corporation

8302A Whitesburg Drive · Huntsville, AL 35802

Phone: (256) 880-8787 or (800) 653-9970 FAX: (256) 880-8788 Email: Sales@GeneralStandards.com

Performance Specifications

At +25 °C, with specified operating voltages

Input Characteristics:

Configuration:	64 single-ended analog input channels; Dedicated 16-Bit ADC per channel. Optional 32-Channel version available.
Voltage Ranges:	Software configurable as $\pm 10V$, $\pm 5V$, $\pm 2.5V$, $0/+5V$ or $0/+10V$ full scale
Input Impedance:	750 Kohms, typical.
Bias Current:	1ua maximum, $\pm 2.5V$ range; 4ua maximum $\pm 10V$ range
Crosstalk Rejection:	85dB typical, DC-50kHz
Input Noise, (0.01-50kHz):	1.0 mVRMS; typical, all ranges
Overvoltage Protection:	± 40 Volts with power removed; $\pm 25V$ with power applied.

Transfer Characteristics:

Resolution:	16 Bits (0.0015 percent of FSR)																		
Maximum Sample Rate:	200 KSPS per channel																		
Channels per scan:	2, 4, 8, 16, 32 or 64 single-ended channels; or any single channel.																		
DC Accuracy: (Maximum composite error after autocalibration)	<table><thead><tr><th>Range</th><th>Midscale Accuracy</th><th>Fullscale Accuracy</th></tr></thead><tbody><tr><td>$\pm 10V$</td><td>$\pm 3mv$</td><td>$\pm 7mv$</td></tr><tr><td>$\pm 5V$</td><td>$\pm 2mv$</td><td>$\pm 5mv$</td></tr><tr><td>$\pm 2.5V$</td><td>$\pm 2mv$</td><td>$\pm 4mv$</td></tr><tr><td>$0/+10V$</td><td>$\pm 3mv$</td><td>$\pm 6mv$</td></tr><tr><td>$0/+5V$</td><td>$\pm 3mv$</td><td>$\pm 5mv$</td></tr></tbody></table>	Range	Midscale Accuracy	Fullscale Accuracy	$\pm 10V$	$\pm 3mv$	$\pm 7mv$	$\pm 5V$	$\pm 2mv$	$\pm 5mv$	$\pm 2.5V$	$\pm 2mv$	$\pm 4mv$	$0/+10V$	$\pm 3mv$	$\pm 6mv$	$0/+5V$	$\pm 3mv$	$\pm 5mv$
Range	Midscale Accuracy	Fullscale Accuracy																	
$\pm 10V$	$\pm 3mv$	$\pm 7mv$																	
$\pm 5V$	$\pm 2mv$	$\pm 5mv$																	
$\pm 2.5V$	$\pm 2mv$	$\pm 4mv$																	
$0/+10V$	$\pm 3mv$	$\pm 6mv$																	
$0/+5V$	$\pm 3mv$	$\pm 5mv$																	
Integral Nonlinearity:	± 0.009 percent of FSR, maximum																		
Differential Nonlinearity:	± 0.005 percent of FSR, maximum																		

Analog Input Operating Modes and Controls

Input Data Buffer:	64K-sample FIFO; Optional 16K-sample buffer available
Sample Clock Sources:	Internal rate generator; External Hardware Sync I/O, Software clock.
Rate Generator:	Programmable from 0.01-200,000 sample clocks per second. Divides 30MHz master clock to sample rate. (Custom clock frequencies available).
External TTL Clock:	Zero to 200,000 sample clocks per second.
Input Data Format:	Selectable as offset binary or as two's complement. Channel-00 tagged.
Differential Processing:	Processes input data as pseudo-differential or full differential signals.

General Standards Corporation

8302A Whitesburg Drive · Huntsville, AL 35802

Phone: (256) 880-8787 or (800) 653-9970 FAX: (256) 880-8788 Email: Sales@GeneralStandards.com

PCI Compatibility:

- Conforms to PCI Specification 2.2, with D32 read/write and 5-Volt signaling
- Supports "plug-n-play" initialization.
- Provides one multifunction interrupt.
- Supports DMA transfers as bus master.

Power Requirements

- +5VDC \pm 0.2 VDC at 0.8 Amp maximum, 0.6 Amp typical.
- Maximum Power Dissipation: Side-1: 3.5 Watts. Side 2: 0.5 Watt.

Physical Parameters

Mechanical Characteristics

- Height: 13.5 mm (0.53 in)
- Depth: 149.0 mm (5.87 in)
- Width: 74.0 mm (2.91 in)
- Shield: Side-1 is protected by an EMI shield.

Environmental Specifications

- Ambient Temperature Range: Operating: 0 to +65 Degrees Celsius inlet air
Storage: -40 to +85 Degrees Celsius
- Relative Humidity: Operating: 0 to 80%, non-condensing
Storage: 0 to 95%, non-condensing
- Altitude: Operation to 10,000 ft.
- Cooling: Conventional convection cooling; 150 LFPM

Ordering Information

Specify the basic product model number followed by an option suffix "-A-B", as indicated below. For example, model number PMC-16AI64SS-64-64K describes a board with 64 input channels and a 64 Ksample data buffer.

Optional Parameter	Value	Specify Option As:
Number of Input Channels	64 Channels	A = 64
	32 Channels	A = 32
Buffer Size	64 Ksamples	B = 64K
	16 Ksamples	B = 16K

Note: Contact factory for custom master clock frequencies.

General Standards Corporation assumes no responsibility for the use of any circuits in this product. No circuit patent licenses are implied. Information included herein supersedes previously published specifications on this product and is subject to change without notice.

General Standards Corporation

8302A Whitesburg Drive · Huntsville, AL 35802

Phone: (256) 880-8787 or (800) 653-9970 FAX: (256) 880-8788 Email: Sales@GeneralStandards.com

System Interface Connector

Table 1. System I/O Connector

ROW-A		ROW-B	
PIN	SIGNAL	PIN	SIGNAL
1	INP00	1	INP32
2	INP01	2	INP33
3	INP02	3	INP34
4	INP03	4	INP35
5	INPUT RTN	5	INPUT RTN
6	INP04	6	INP36
7	INP05	7	INP37
8	INP06	8	INP38
9	INP07	9	INP39
10	INPUT RTN	10	INPUT RTN
11	INP08	11	INP40
12	INP09	12	INP41
13	INP10	13	INP42
14	INP11	14	INP43
15	INPUT RTN	15	INPUT RTN
16	INP12	16	INP44
17	INP13	17	INP45
18	INP14	18	INP46
19	INP15	19	INP47
20	INPUT RTN	20	INP48
21	INP16	21	INPUT RTN
22	INP17	22	INP49
23	INP18	23	INP50
24	INP19	24	INP51
25	INPUT RTN	25	INP52
26	INP20	26	INP53
27	INP21	27	INPUT RTN
28	INP22	28	INP54
29	INP23	29	INP55
30	INPUT RTN	30	INP56
31	INP24	31	INP57
32	INP25	32	INP58
33	INP26	33	INPUT RTN
34	INP27	34	INP59
35	INPUT RTN	35	INP60
36	INP28	36	INP61
37	INP29	37	INP62
38	INP30	38	INP63
39	INP31	39	SYNC I/O RTN
40	INPUT RTN	40	SYNC I/O

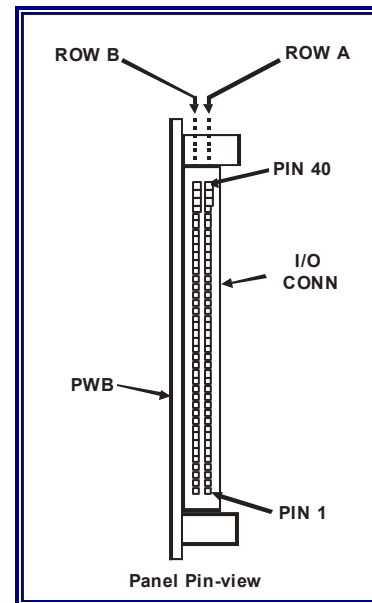


Figure 2. System Input Connector

System Mating Connector:

Standard 80-pin 0.050" dual-ribbon socket connector:

Robinson Nugent P50E-080-S-TG, or equivalent.

General Standards Corporation

8302A Whitesburg Drive · Huntsville, AL 35802

Phone: (256) 880-8787 or (800) 653-9970 FAX: (256) 880-8788 Email: Sales@GeneralStandards.com